



Z712

12 [305] WIDE REVEAL FRAME AND GRATE SYSTEM



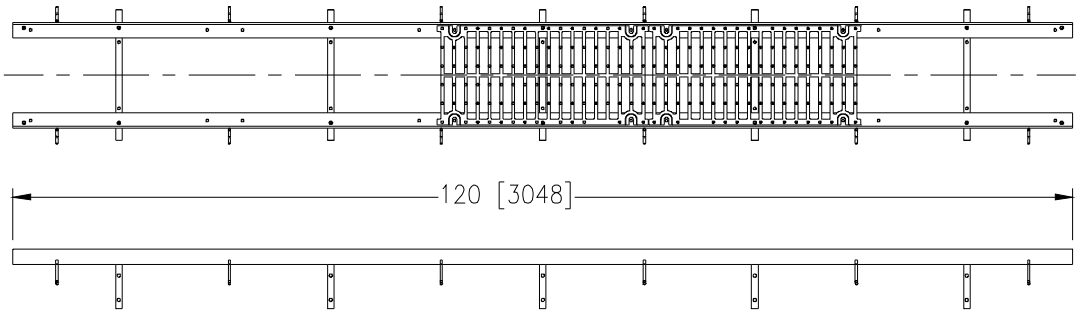
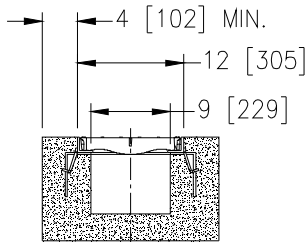
Supplied By:

877-903-7246 www.trenchdrainsupply.com

TAG _____

Dimensional Data (inches and [mm]) are Subject to Manufacturing Tolerances and Change Without Notice

SPECIFYING ENGINEER IS RESPONSIBLE FOR CONCRETE ENCASEMENT AND REINFORCING BASED UPON APPLICATION AND LOCAL CODES



ENGINEERING SPECIFICATION: Zurn Z712

Frame and Grate System are 120"[3048mm] long, 12"[305mm] wide reveal and have a 8-1/2"[216mm] clear opening. Channels mechanically lock into the concrete surround every 12" [305mm]. Channels provided with standard DGC grates that lock down to frame. Zurn 12" [305mm] wide reveal Ductile Iron Slotted Grate conforming to ASTM specification A536-84, Grade 80-55-06. Ductile Iron grate is rated class C per the DIN EN1433 top load classifications. Supplied in 24" [608mm] nominal lengths with 63/64" [25mm] wide slots, and 1-1/2" [38mm] bearing depth. Grate has an open area of 86.7 sq. in per ft. [183515 sq. mm per meter]. The 1/4" [6mm] thick Heavy-Duty Carbon Steel Frame Assembly conforms to ASTM specification A36 with 12 - 4" [102mm] long concrete anchors per 120" [3048mm]. Grate lockdown bars are to be integral to the frame. The frame is supplied with a powder coated finish. All welds must be performed by a certified welder per ASTM standard AWS D1.1. Frames produced in the U.S.A.

PREFIX OPTIONS (Check/specify appropriate options)

- ___ Z Ten-foot Heavy Duty Carbon Steel Frame *

SUFFIX OPTIONS (Check/specify appropriate options)

Frame Options

- ___ -CBF Black Acid Resistant Coated Top Frame
- ___ -CWF White Acid Resistant Coated Top Frame
- ___ -GFA Galvanized Frame Assembly
- ___ -SF Type 304 Stainless Steel Top Frame (316 By Request)

Grate Options (Load Classifications are per DIN EN1433)

- ___ -BG Galvanized Steel Bar Grate - Class D
- ___ -BDC Black Acid Resistant Ductile Grate - Class C
- ___ -BDE Black Acid Resistant Ductile Grate - Class E
- ___ -BDF Black Acid Resistant Ductile Grate - Class F
- ___ -DC Ductile Iron Solid Cover - Class E
- ___ -DGC Ductile Iron Slotted Grate - Class C *
- ___ -DGE Ductile Iron Slotted Grate - Class E
- ___ -DGF Ductile Iron Slotted Grate - Class F
- ___ -GDC Galvanized Ductile Slotted Grate - Class C
- ___ -GDE Galvanized Ductile Slotted Grate - Class E
- ___ -GDF Galvanized Ductile Slotted Grate - Class F
- ___ -GHPD Galvanized Heel-Proof Ductile Slotted Grate - Class B
- ___ -GHPDE Galvanized Heel-Proof Ductile Slotted Grate - Class E
- ___ -GG Fiberglass Grate - Class A
- ___ -HPD Heel-Proof Ductile Slotted Grate - Class B
- ___ -HPDE Heel-Proof Ductile Slotted Grate - Class E
- ___ -RFGC Reinforced Slotted Galvanized Grate - Class C
- ___ -RPGC Reinforced Perforated Galvanized Grate - Class C
- ___ -RPGRC Reinforced Perforated Galvanized Reverse Punch Grate - Class C
- ___ -RFSC Reinforced Slotted Stainless Steel Grate - Class C
- ___ -RPSC Reinforced Perforated Stainless Steel Grate - Class C
- ___ -RPSRC Reinforced Perforated Stainless Steel Reverse Punch Grate - Class C

MADE in the U.S.A.

- ___ -ADA-USA Meets Americans with Disabilities Act Requirements - Class C
- ___ -BDE-USA Black Acid Resistant Ductile Grate - Class E
- ___ -DGC-USA Ductile Iron Slotted Grate - Class C
- ___ -DGE-USA Ductile Iron Slotted Grate - Class E
- ___ -FG Fabricated Galvanized Steel Slotted Grate - Class A
- ___ -FS Fabricated Stainless Steel Slotted Grate - Class A
- ___ -GADA-USA Galvanized Ductile ADA Slotted Grate - Class C
- ___ -GDC-USA Galvanized Ductile Slotted Grate - Class C
- ___ -GDE-USA Galvanized Ductile Slotted Grate - Class E
- ___ -GHPDE-USA Galvanized Ductile Slotted Grate - Class E
- ___ -HPDE-USA Heel-Proof Ductile Slotted Grate - Class E
- ___ -PG Perforated Galvanized Steel Grate - Class A
- ___ -PGR Perforated Galvanized Reverse Punch ADA Grate - Class A
- ___ -PS Perforated Stainless Steel Grate - Class A
- ___ -PSR Perforated Stainless Steel Reverse Punch ADA Grate - Class A
- ___ -RFG Reinforced Galvanized Slotted Grate - Class B
- ___ -RFS Reinforced Stainless Steel Slotted Grate - Class B
- ___ -RPG Reinforced Galvanized Perforated Grate - Class B
- ___ -RPGR Reinforced Galvanized Perforated Reverse Punch Anti-Slip ADA Grate - Class B
- ___ -RPS Reinforced Stainless Steel Perforated Grate - Class B
- ___ -RPSR Reinforced Stainless Steel Perforated Reverse Punch Anti-Slip ADA Grate - Class B
- ___ -SBG-L Stainless Steel Bar Grate - Class C
- ___ -SSCD Reinforced Stainless Steel Solid Cover - Class B

Miscellaneous Options

- ___ -RC Rebar Clip (Set of 2)
- ___ -VP Vandal-Proof Lockdown

* Regularly furnished unless otherwise specified.